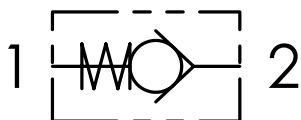


SCHEMA IDRAULICO / HYDRAULIC CIRCUIT

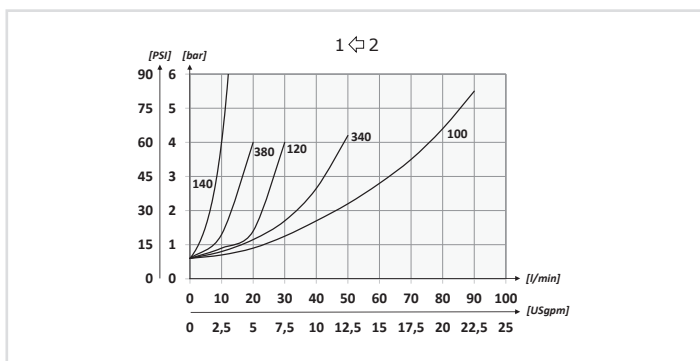


CODICE ORDINAZIONE
ORDERING CODE

01	02	03	04
VUN			

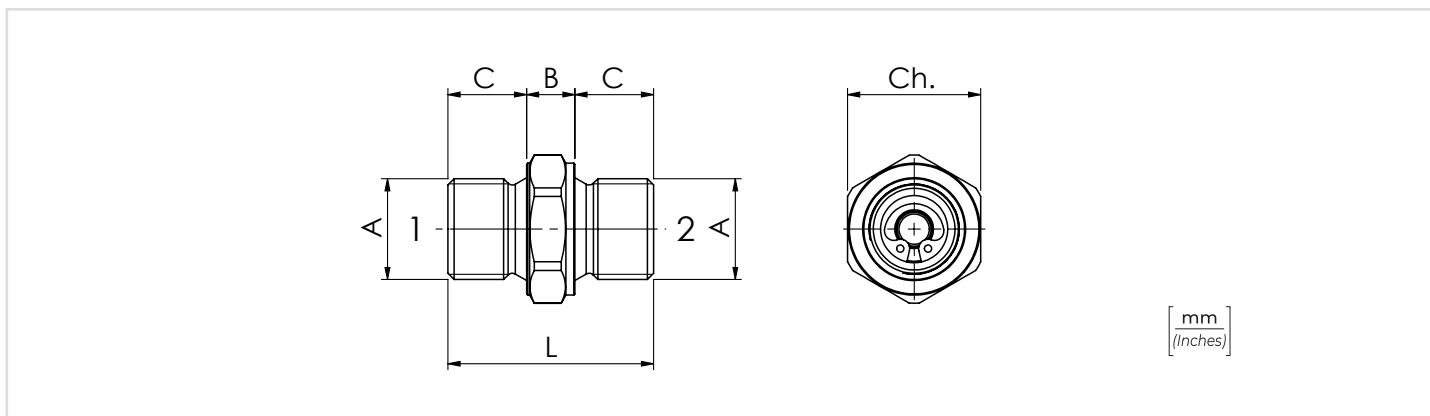
01	VALVOLE UNIDIREZIONALI M/M (M/M CHECK VALVES)	VUN	
02	DIMENSIONE (SIZE)	BSPP 1/4	140
		BSPP 3/8	380
		BSPP 1/2	120
		BSPP 3/4	340
		BSPP 1	100
03	TENUTA (SEALING)	Tenuta a sfera solo per VUN140/380/120 e molla 0,5 bar (Ball sealing only for VUN140/380/120 and spring 0,5 bar)	SF
		Tenuta a cono (Poppet sealing)	SP
04	MOLLA (SPRING)	0,5 bar Standard (7.25 PSI)	0,5
		3 bar (43.5 PSI)	3
		4,5 bar (65.25 PSI)	4,5
		6 bar (87 PSI)	6

PERFORMANCES



DATI TECNICI / TECHNICAL DATA

Olio idraulico - Mineral oil	ISO 6743/4 (DIN 51524)
Viscosità olio - Oil viscosity	15-250 mm²/s (15 to 250 cSt)
Classe di contaminazione max Max contamination index	ISO 4406:1999 Classe 19/17/14
Temperatura dell'olio - Oil temperature	-20°C +80°C -4°F +176°F
Temperatura ambiente - Environment temperature	-20°C +50°C -4°F +122°F
È indispensabile l'utilizzo di un filtro per proteggere la valvola (filtrazione consigliata 15 µm) It is necessary a filter use to protect the valve (advised filtration 15 µm)	
Trafilamento massimo Max leakage	0,25 cm³/min - 5 gocce/min 0,015 in ³ /min - 5 drops/min



CARATTERISTICHE TECNICHE / TECHNICAL CHARACTERISTICS

CODICE CODE	A	PORTATA MAX MAX FLOW l/min-USgpm	PRESSIONE MAX MAX PRESSURE bar-PSI	L	B	C	Ch.	COPPIA DI SERRAGGIO TIGHTENING TORQUE Nm-lbt ft	COPPIA MAX DI SERRAGGIO TUBO (Nm) MAX TIGHTENING TORQUE FOR HOSE (lbt in)	PESO APPROX APPROX WEIGHT kg - (lbt)
VUN140	BSPP 1/4	5 (1.3)	500 (7250)	29 (0.28)	7 (1.27)	11 (0.43)	19	30 (22.2)	20 (14.75)	0,03 (0.066)
VUN380	BSPP 3/8	15 (4)		34 (1.34)	8 (0.31)	13 (0.51)	22	45 (33.2)	35 (25.8)	0,05 (0.01)
VUN120	BSPP 1/2	30 (7.9)		44 (1.73)	16 (0.63)	14 (0.55)	27	60 (44.3)	50 (36.8)	0,11 (0.24)
VUN340	BSPP 3/4	50 (13.2)		50 (1.97)	16 (0.63)	17 (0.67)	32	100 (73.75)	90 (66.3)	0,18 (0.40)
VUN100	BSPP 1	90 (23.8)		57 (2.24)	19 (0.75)	19 (0.75)	41	140 (103.3)	120 (88.5)	0,32 (0.71)